

BillyOh Keeper Overlap
Apex 8ft Gable
Windowed Buildings[®]
Components Identification



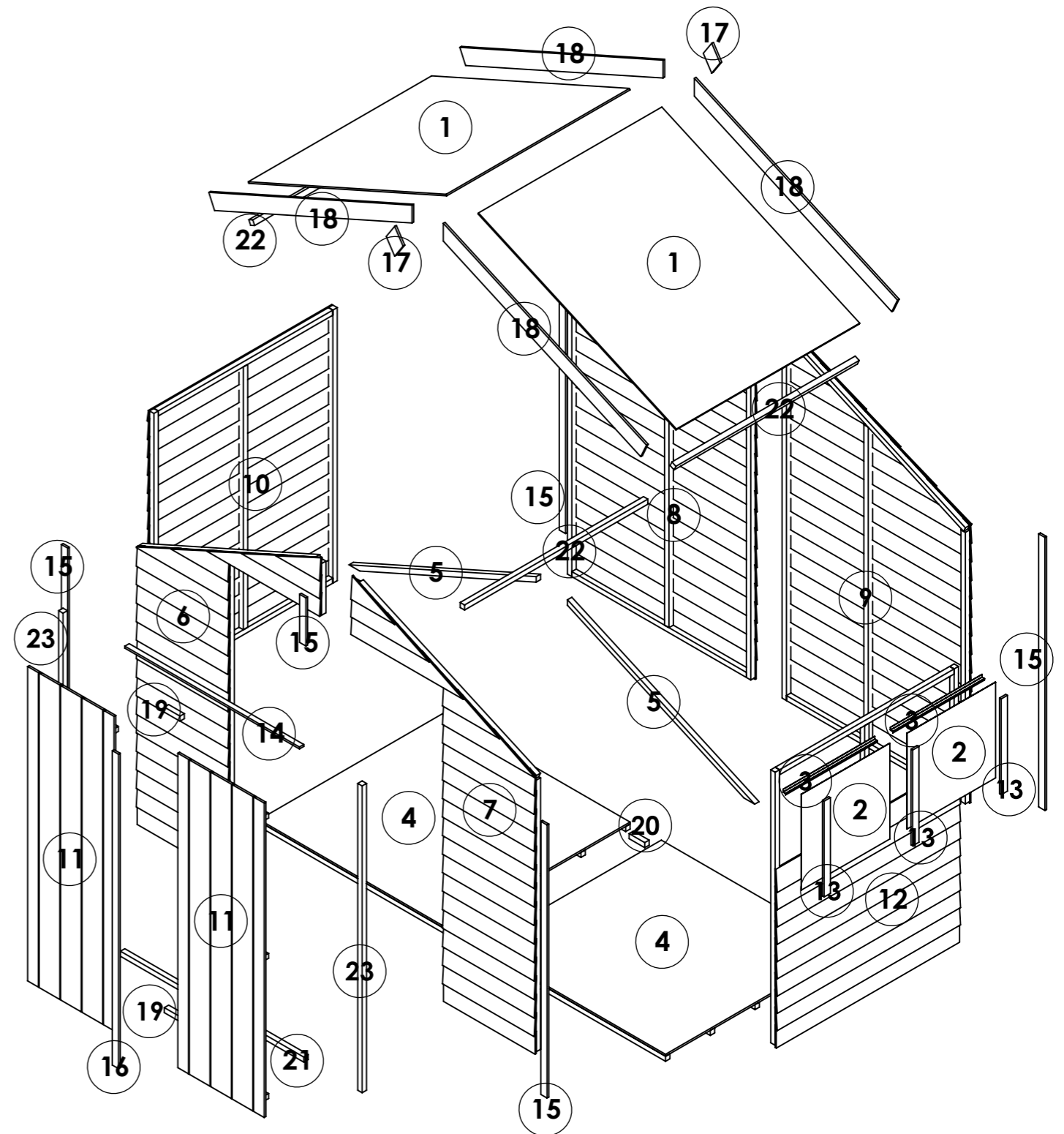
For Queries and Help
please call Product
Support:
01636 858377

PROPRIETARY AND CONFIDENTIALITY

All the information contained within this document including all technical data, dimensions, shape/form and branding (inc. Trademarks, logos, etc.) Is the sole property of Kybotech Limited. The reproduction and/or disclosure to any third party of any information contained within this document is strictly prohibited. Breaches of the copyright will be dealt with on the highest level of severity with immediate legal proceedings.

4x8 Keeper Overlap Windowed Apex

ITEM NO.	Part Name - ID / Code - Name	QTY.
1	14435-Roof Apex 8mm SS W1.172xH1.385m	2
2	14447-Glazing 1.2mm Styrene Fixed Window W0.566xH0.530m	2
3	14449-Window Sill Black L0.586m	2
4	14594-Floor ASM Solid Sheet W1.172xH1.199m	2
5	25407-Roof Support 8ft Treated L1.31m	2
6	25419-Section OL 8ft Gable Door Left U1511 W1.172xH1.912m	1
7	25420-Section OL 8ft Gable Door Right U1511 W1.172xH1.912m	1
8	25421-Section OL 8ft Gable Plain Left U1511 W1.172xH1.912m	1
9	25422-Section OL 8ft Gable Plain Right U1511 W1.172xH1.912m	1
10	25424-Section OL 4ft Panel Plain U1511 W1.172xH1.523m	1
11	25437-Door Double 11mm TG W0.552xH1.740m	2
12	25554-Section OL 4ft Panel Fixed Window U1511 W1.172xH1.523m	1
13	CL-0530-40RS- Window Cloak	3
14	CL-1116-28RS- Door Head	1
15	CL-1511-40RS- Panel Cloak	7
16	CL-1754-40RS- Door Cloak 1740	1
17	FB-0138-90RS- Finial	2
18	FB-1422-90RS- Fascia Board	4
19	FR-0100-SQ- Door Block	2
20	FR-0100-SQ- Floor Block	2
21	FR-1172-SQ- Door Threshold	1
22	FR-1172-SQ- Purlin	3
23	FR-1698-SQ- Door Upright	2

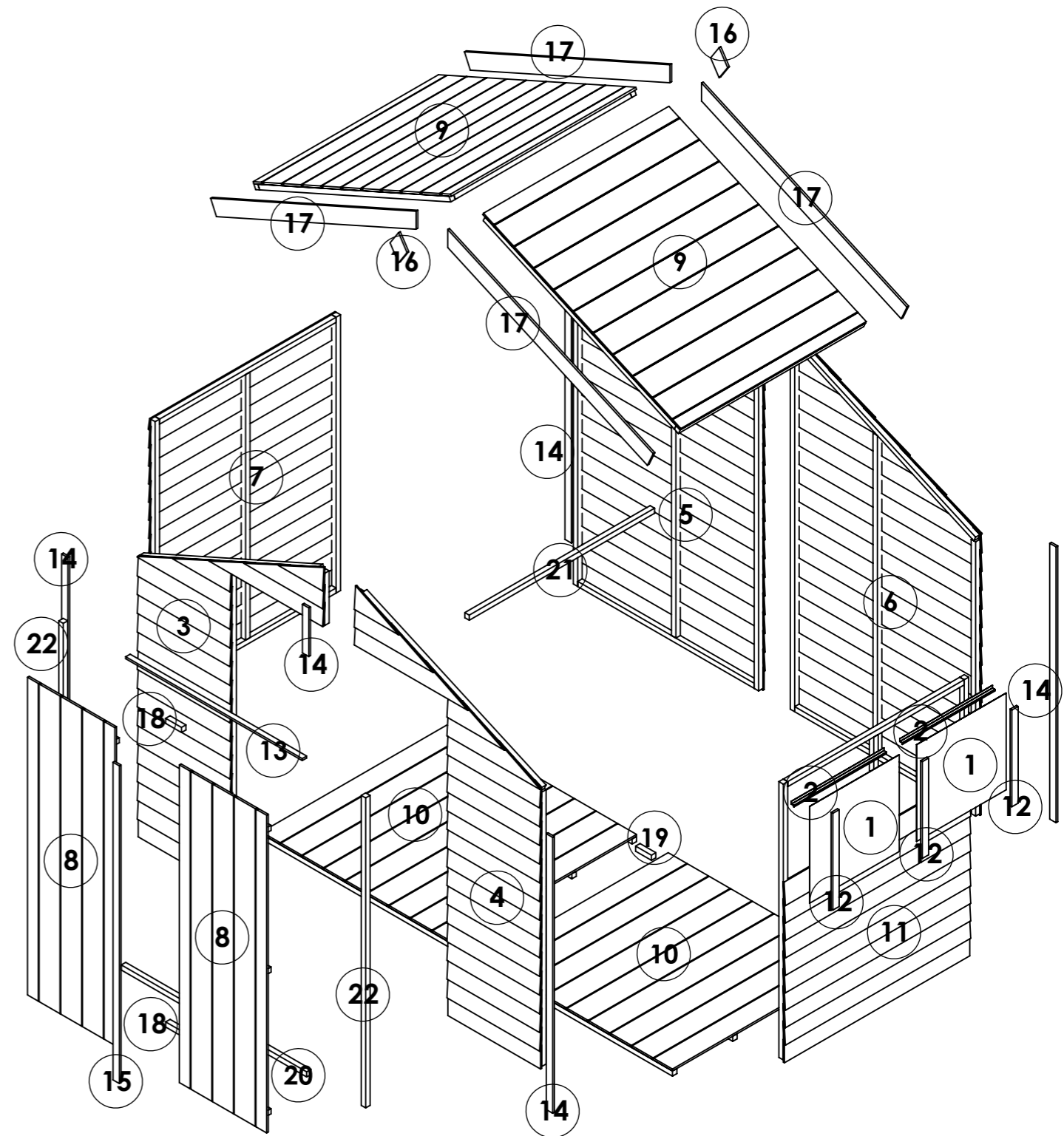


OPTIONS:

Floor: **Solid Sheet**
 Roof: **Solid Sheet**
 Truss: **Solid Sheet**

4x8 Keeper Overlap Windowed Apex

ITEM NO.	Part Name - ID / Code - Name	QTY.
1	14447-Glazing 1.2mm Styrene Fixed Window W0.566xH0.530m	2
2	14449-Window Sill Black L0.586m	2
3	25419-Section OL 8ft Gable Door Left U1511 W1.172xH1.912m	1
4	25420-Section OL 8ft Gable Door Right U1511 W1.172xH1.912m	1
5	25421-Section OL 8ft Gable Plain Left U1511 W1.172xH1.912m	1
6	25422-Section OL 8ft Gable Plain Right U1511 W1.172xH1.912m	1
7	25424-Section OL 4ft Panel Plain U1511 W1.172xH1.523m	1
8	25437-Door Double 11mm TG W0.552xH1.740m	2
9	25442-Roof Apex 11mm TG W1.172xH1.366m	2
10	25453-Floor ASM 11mm TG W1.172xH1.199m	2
11	25554-Section OL 4ft Panel Fixed Window U1511 W1.172xH1.523m	1
12	CL-0530-40RS- Window Cloak	3
13	CL-1116-28RS- Door Head	1
14	CL-1511-40RS- Panel Cloak	7
15	CL-1754-40RS- Door Cloak 1740	1
16	FB-0138-90RS- Finial	2
17	FB-1422-90RS- Fascia Board	4
18	FR-0100-SQ- Door Block	2
19	FR-0100-SQ- Floor Block	2
20	FR-1172-SQ- Door Threshold	1
21	FR-1172-SQ- Purlin	1
22	FR-1698-SQ- Door Upright	2



OPTIONS:

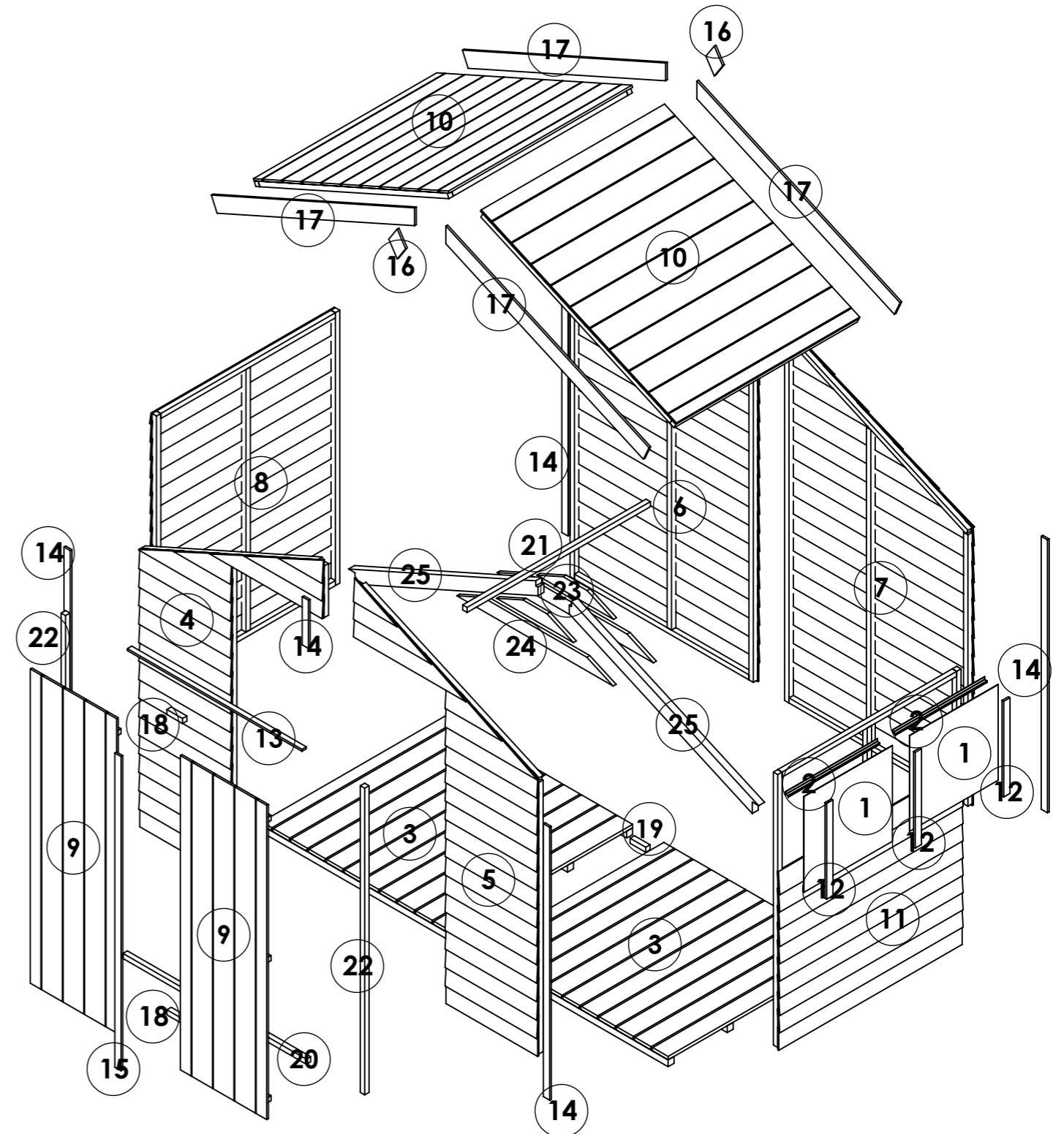
Floor: **11mm T&G**

Roof: **11mm T&G**

Truss: **11mm T&G**

4x8 Keeper Overlap Windowed Apex

ITEM NO.	Part Name - ID / Code - Name	QTY.
1	14447-Glazing 1.2mm Styrene Fixed Window W0.566xH0.530m	2
2	14449-Window Sill Black L0.586m	2
3	25412-Floor ASM 19mm TG W1.172xH1.199m	2
4	25419-Section OL 8ft Gable Door Left U1511 W1.172xH1.912m	1
5	25420-Section OL 8ft Gable Door Right U1511 W1.172xH1.912m	1
6	25421-Section OL 8ft Gable Plain Left U1511 W1.172xH1.912m	1
7	25422-Section OL 8ft Gable Plain Right U1511 W1.172xH1.912m	1
8	25424-Section OL 4ft Panel Plain U1511 W1.172xH1.523m	1
9	25437-Door Double 11mm TG W0.552xH1.740m	2
10	25442-Roof Apex 11mm TG W1.172xH1.366m	2
11	25554-Section OL 4ft Panel Fixed Window U1511 W1.172xH1.523m	1
12	CL-0530-40RS- Window Cloak	3
13	CL-1116-28RS- Door Head	1
14	CL-1511-40RS- Panel Cloak	7
15	CL-1754-40RS- Door Cloak 1740	1
16	FB-0138-90RS- Finial	2
17	FB-1422-90RS- Fascia Board	4
18	FR-0100-SQ- Door Block	2
19	FR-0100-SQ- Floor Block	2
20	FR-1172-SQ- Door Threshold	1
21	FR-1172-SQ- Purlin	1
22	FR-1698-SQ- Door Upright	2
23	TR-0491-BV2	2
24	TR-1000-BV2	2
25	TR-1312-BM75	2



OPTIONS:

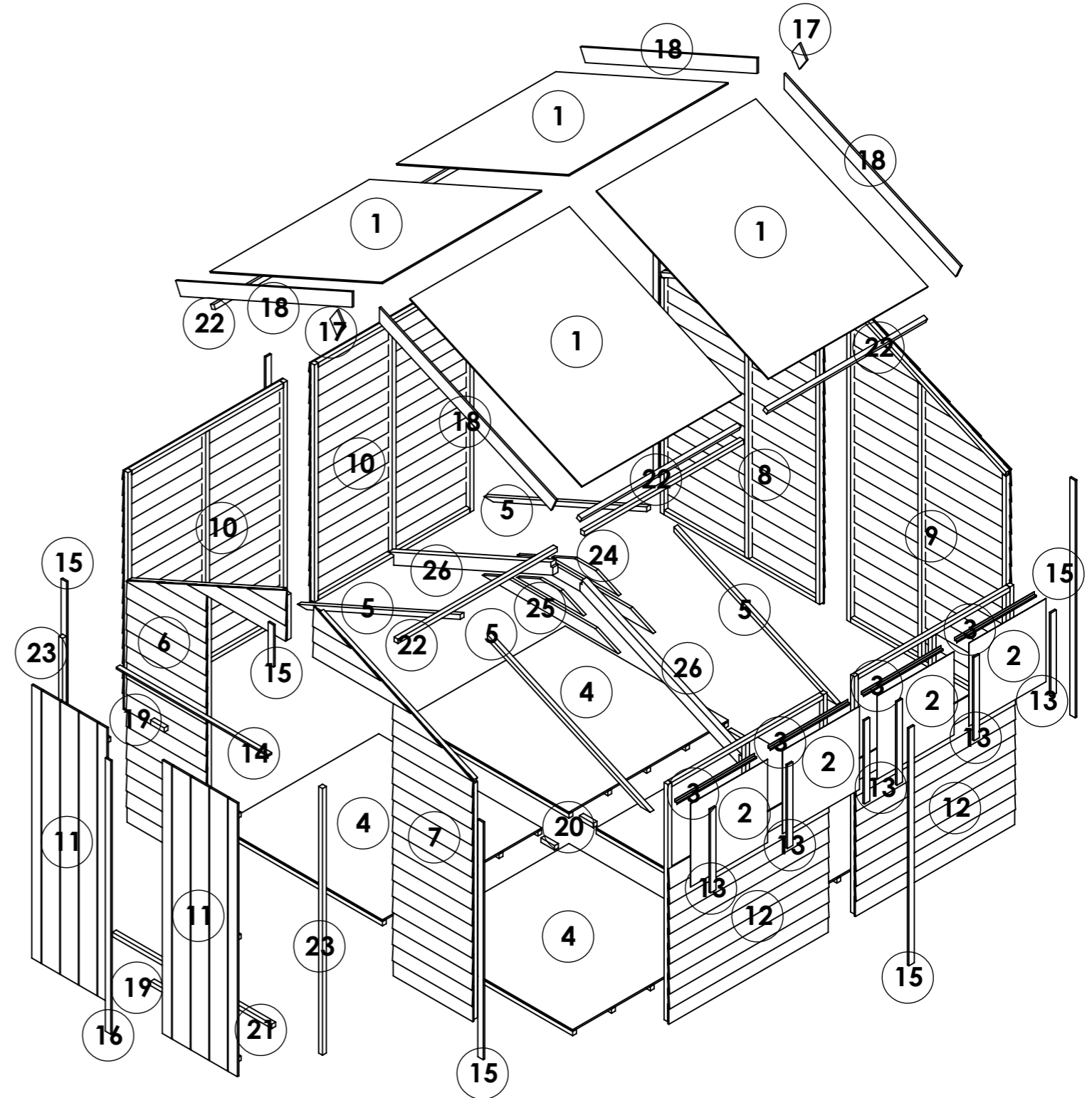
Floor: **19mm T&G**

Roof: **11mm T&G**

Truss: **11mm T&G Heavy Duty**

8x8 Keeper Overlap Windowed Apex

ITEM NO.	Part Name - ID / Code - Name	QTY.
1	14435-Roof Apex 8mm SS W1.172xH1.385m	4
2	14447-Glazing 1.2mm Styrene Fixed Window W0.566xH0.530m	4
3	14449-Window Sill Black L0.586m	4
4	14594-Floor ASM Solid Sheet W1.172xH1.199m	4
5	25407-Roof Support 8ft Treated L1.31m	4
6	25419-Section OL 8ft Gable Door Left U1511 W1.172xH1.912m	1
7	25420-Section OL 8ft Gable Door Right U1511 W1.172xH1.912m	1
8	25421-Section OL 8ft Gable Plain Left U1511 W1.172xH1.912m	1
9	25422-Section OL 8ft Gable Plain Right U1511 W1.172xH1.912m	1
10	25424-Section OL 4ft Panel Plain U1511 W1.172xH1.523m	2
11	25437-Door Double 11mm TG W0.552xH1.740m	2
12	25554-Section OL 4ft Panel Fixed Window U1511 W1.172xH1.523m	2
13	CL-0530-40RS- Window Cloak	6
14	CL-1116-28RS- Door Head	1
15	CL-1511-40RS- Panel Cloak	9
16	CL-1754-40RS- Door Cloak 1740	1
17	FB-0138-90RS- Finial	2
18	FB-1422-90RS- Fascia Board	4
19	FR-0100-SQ- Door Block	2
20	FR-0100-SQ- Floor Block	4
21	FR-1172-SQ- Door Threshold	1
22	FR-1172-SQ- Purlin	6
23	FR-1698-SQ- Door Upright	2
24	TR-0491-BV2	2
25	TR-1000-BV2	2
26	TR-1312-BM75	2

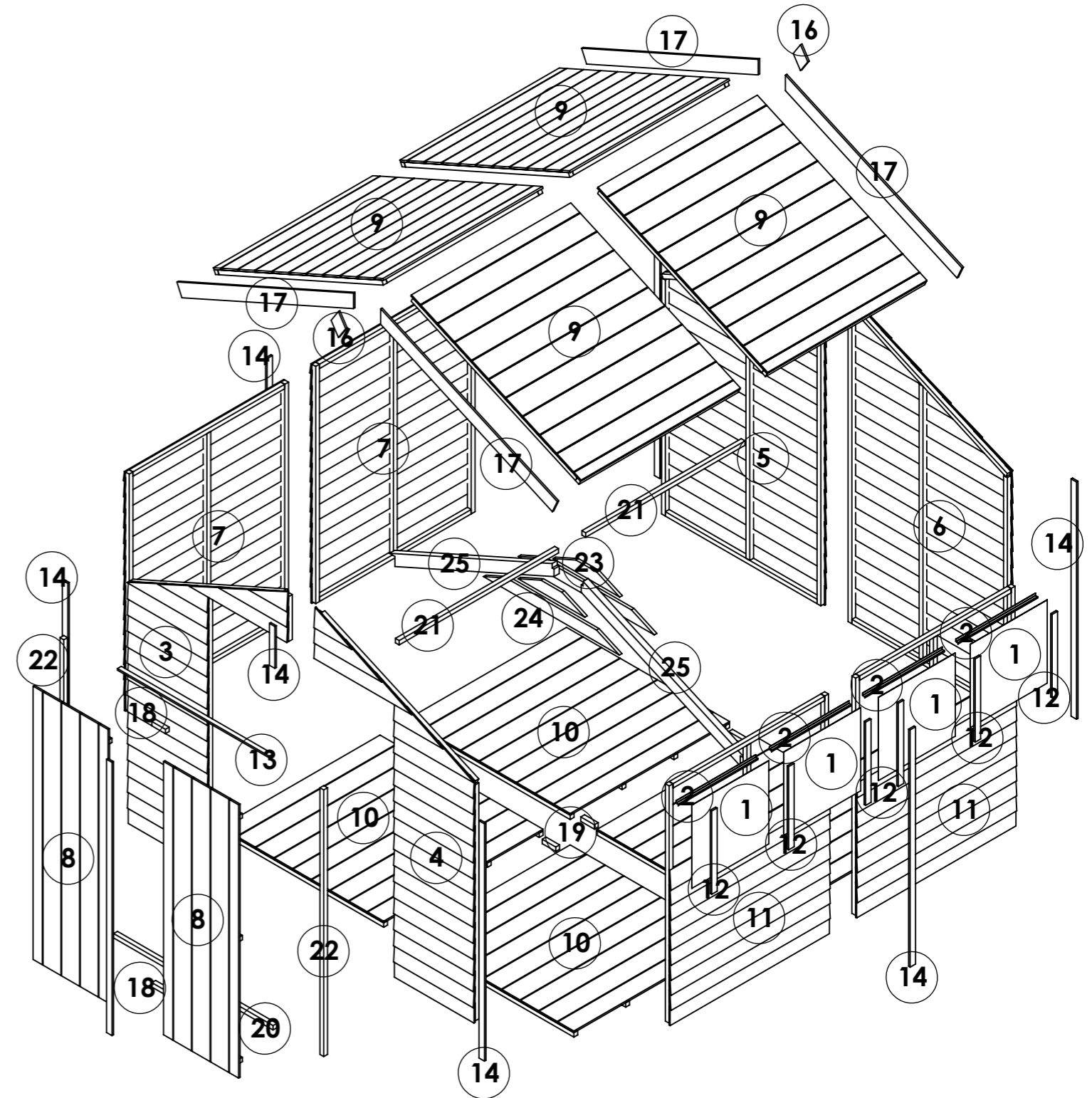


OPTIONS:

Floor: **Solid Sheet**
 Roof: **Solid Sheet**
 Truss: **Solid Sheet**

8x8 Keeper Overlap Windowed Apex

ITEM NO.	Part Name - ID / Code - Name	QTY.
1	14447-Glazing 1.2mm Styrene Fixed Window W0.566xH0.530m	4
2	14449-Window Sill Black L0.586m	4
3	25419-Section OL 8ft Gable Door Left U1511 W1.172xH1.912m	1
4	25420-Section OL 8ft Gable Door Right U1511 W1.172xH1.912m	1
5	25421-Section OL 8ft Gable Plain Left U1511 W1.172xH1.912m	1
6	25422-Section OL 8ft Gable Plain Right U1511 W1.172xH1.912m	1
7	25424-Section OL 4ft Panel Plain U1511 W1.172xH1.523m	2
8	25437-Door Double 11mm TG W0.552xH1.740m	2
9	25442-Roof Apex 11mm TG W1.172xH1.366m	4
10	25453-Floor ASM 11mm TG W1.172xH1.199m	4
11	25554-Section OL 4ft Panel Fixed Window U1511 W1.172xH1.523m	2
12	CL-0530-40RS- Window Cloak	6
13	CL-1116-28RS- Door Head	1
14	CL-1511-40RS- Panel Cloak	9
15	CL-1754-40RS- Door Cloak 1740	1
16	FB-0138-90RS- Finial	2
17	FB-1422-90RS- Fascia Board	4
18	FR-0100-SQ- Door Block	2
19	FR-0100-SQ- Floor Block	4
20	FR-1172-SQ- Door Threshold	1
21	FR-1172-SQ- Purlin	2
22	FR-1698-SQ- Door Upright	2
23	TR-0491-BV2	2
24	TR-1000-BV2	2
25	TR-1312-BM75	2



OPTIONS:

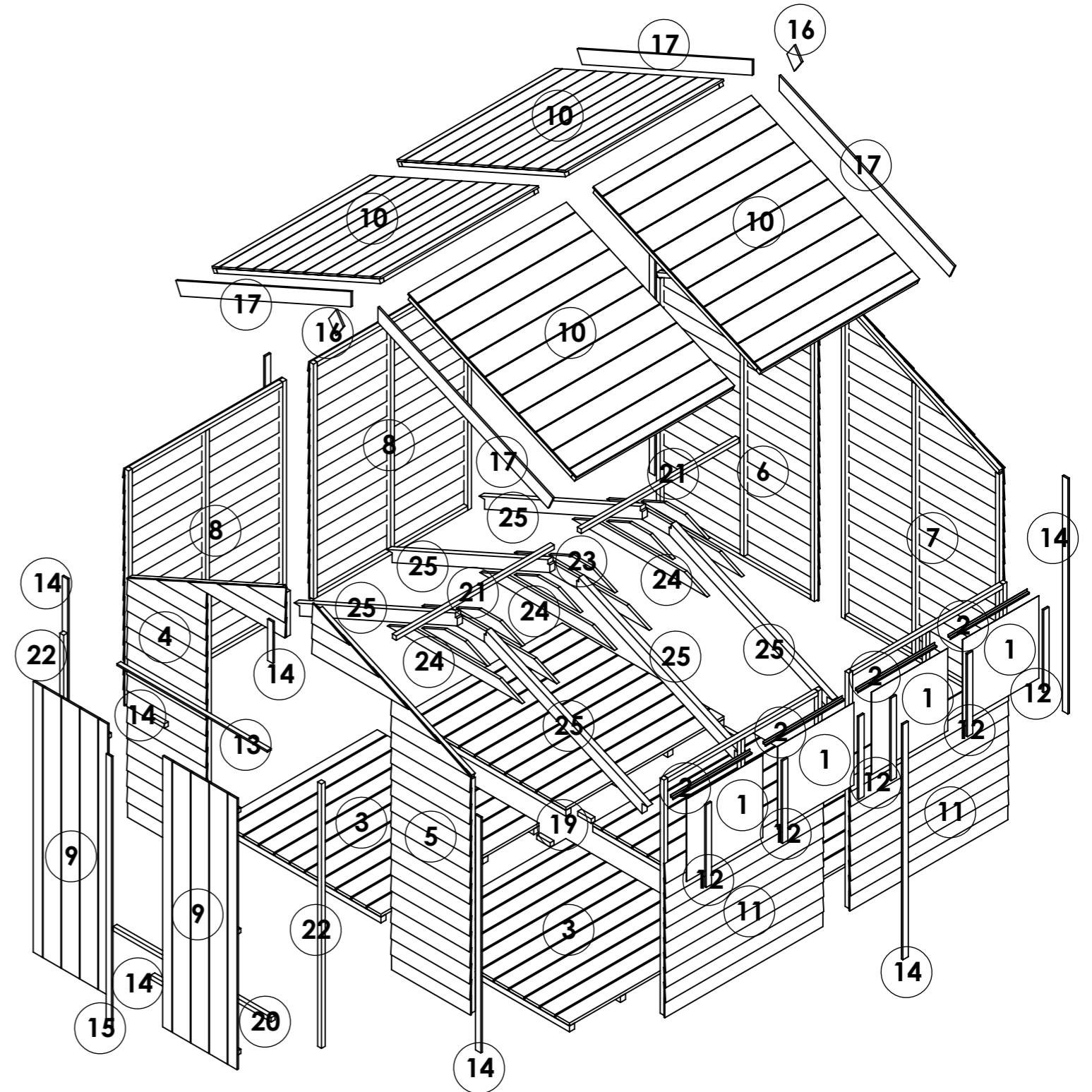
Floor: **11mm T&G**

Roof: **11mm T&G**

Truss: **11mm T&G**

8x8 Keeper Overlap Windowed Apex

ITEM NO.	Part Name - ID / Code - Name	QTY.
1	14447-Glazing 1.2mm Styrene Fixed Window W0.566xH0.530m	4
2	14449-Window Sill Black L0.586m	4
3	25412-Floor ASM 19mm TG W1.172xH1.199m	4
4	25419-Section OL 8ft Gable Door Left U1511 W1.172xH1.912m	1
5	25420-Section OL 8ft Gable Door Right U1511 W1.172xH1.912m	1
6	25421-Section OL 8ft Gable Plain Left U1511 W1.172xH1.912m	1
7	25422-Section OL 8ft Gable Plain Right U1511 W1.172xH1.912m	1
8	25424-Section OL 4ft Panel Plain U1511 W1.172xH1.523m	2
9	25437-Door Double 11mm TG W0.552xH1.740m	2
10	25442-Roof Apex 11mm TG W1.172xH1.366m	4
11	25554-Section OL 4ft Panel Fixed Window U1511 W1.172xH1.523m	2
12	CL-0530-40RS- Window Cloak	6
13	CL-1116-28RS- Door Head	1
14	CL-1511-40RS- Panel Cloak	9
15	CL-1754-40RS- Door Cloak 1740	1
16	FB-0138-90RS- Finial	2
17	FB-1422-90RS- Fascia Board	4
14	FR-0100-SQ- Door Block	2
19	FR-0100-SQ- Floor Block	4
20	FR-1172-SQ- Door Threshold	1
21	FR-1172-SQ- Purlin	2
22	FR-1698-SQ- Door Upright	2
23	TR-0491-BV2	6
24	TR-1000-BV2	6
25	TR-1312-BM75	6



OPTIONS:

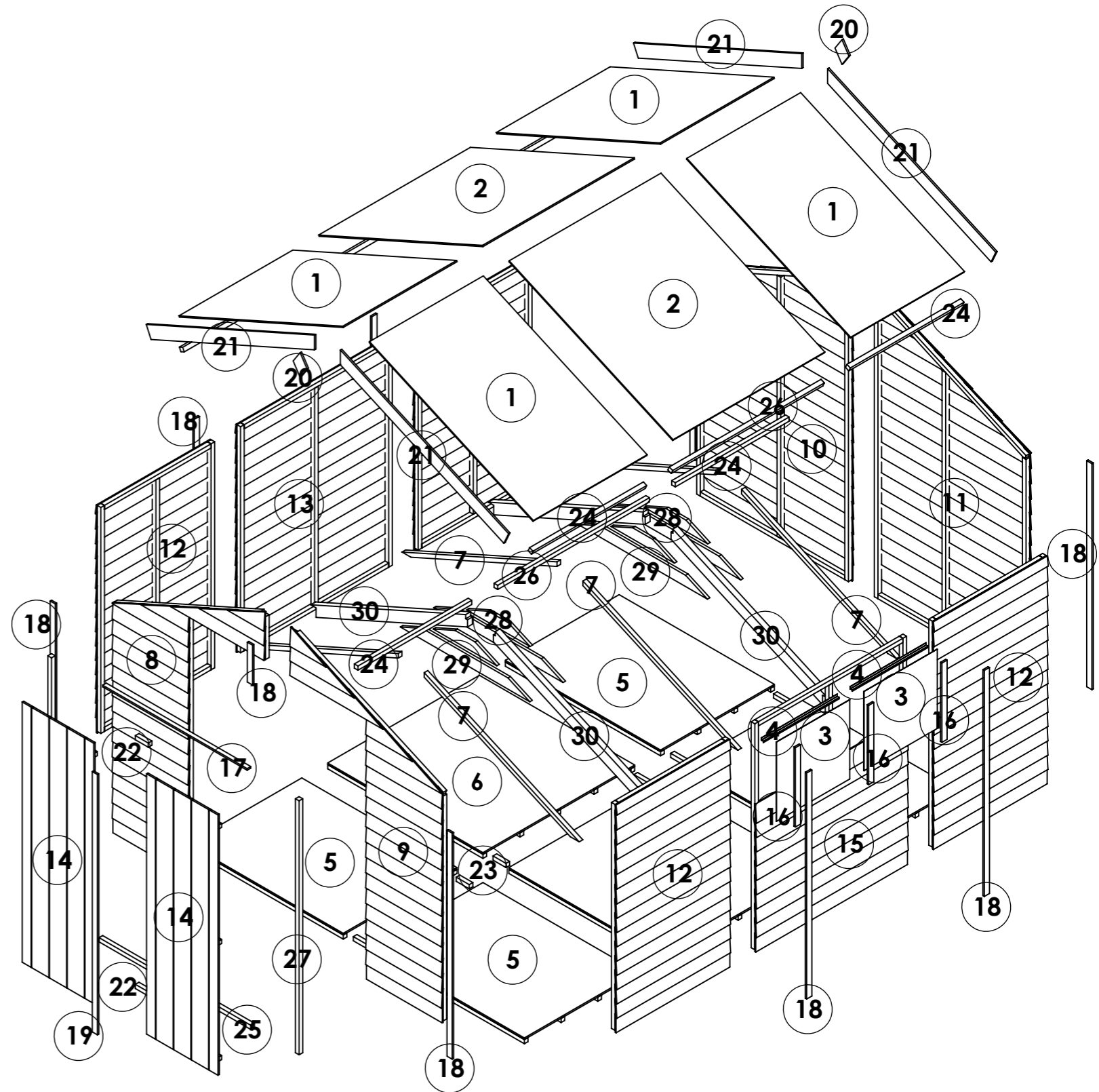
Floor: **19mm T&G**

Roof: **11mm T&G**

Truss: **11mm T&G Heavy Duty**

10x8 Keeper Overlap Windowed Apex

ITEM NO.	Part Name - ID / Code - Name	QTY.
1	14434-Roof Apex 8mm SS W0.879xH1.385m	4
2	14435-Roof Apex 8mm SS W1.172xH1.385m	2
3	14447-Glazing 1.2mm Styrene Fixed Window W0.566xH0.530m	2
4	14449-Window Sill Black L0.586m	2
5	14593-Floor ASM Solid Sheet W0.879xH1.199m	4
6	14594-Floor ASM Solid Sheet W1.172xH1.199m	2
7	25407-Roof Support 8ft Treated L1.31m	6
8	25419-Section OL 8ft Gable Door Left U1511 W1.172xH1.912m	1
9	25420-Section OL 8ft Gable Door Right U1511 W1.172xH1.912m	1
10	25421-Section OL 8ft Gable Plain Left U1511 W1.172xH1.912m	1
11	25422-Section OL 8ft Gable Plain Right U1511 W1.172xH1.912m	1
12	25423-Section OL 3ft Panel Plain U1511 W0.879xH1.523m	4
13	25424-Section OL 4ft Panel Plain U1511 W1.172xH1.523m	1
14	25437-Door Double 11mm TG W0.552xH1.740m	2
15	25554-Section OL 4ft Panel Fixed Window U1511 W1.172xH1.523m	1
16	CL-0530-40RS- Window Cloak	3
17	CL-1116-28RS- Door Head	1
18	CL-1511-40RS- Panel Cloak	11
19	CL-1754-40RS- Door Cloak 1740	1
20	FB-0138-90RS- Finial	2
21	FB-1422-90RS- Fascia Board	4
22	FR-0100-SQ- Door Block	2
23	FR-0100-SQ- Floor Block	6
24	FR-0879-SQ- Purlin	6
25	FR-1172-SQ- Door Threshold	1
26	FR-1172-SQ- Purlin	3
27	FR-1698-SQ- Door Upright	2
28	TR-0491-BV2	4
29	TR-1000-BV2	4
30	TR-1312-BM75	4

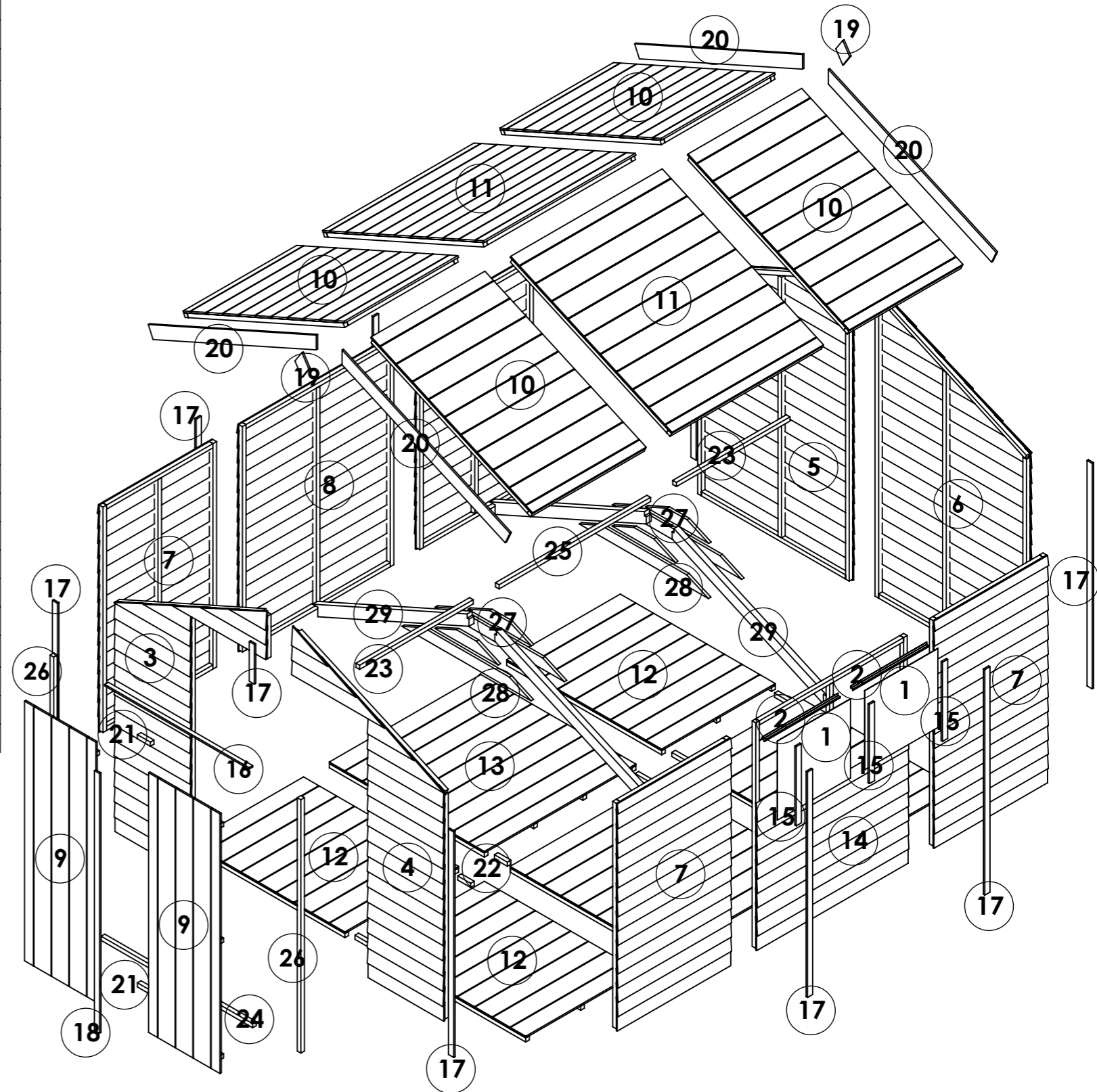


OPTIONS:

Floor: **Solid Sheet**
 Roof: **Solid Sheet**
 Truss: **Solid Sheet**

10x8 Keeper Overlap Windowed Apex

ITEM NO.	Part Name - ID / Code - Name	QTY.
1	14447-Glazing 1.2mm Styrene Fixed Window W0.566xH0.530m	2
2	14449-Window Sill Black L0.586m	2
3	25419-Section OL 8ft Gable Door Left U1511 W1.172xH1.912m	1
4	25420-Section OL 8ft Gable Door Right U1511 W1.172xH1.912m	1
5	25421-Section OL 8ft Gable Plain Left U1511 W1.172xH1.912m	1
6	25422-Section OL 8ft Gable Plain Right U1511 W1.172xH1.912m	1
7	25423-Section OL 3ft Panel Plain U1511 W0.879xH1.523m	4
8	25424-Section OL 4ft Panel Plain U1511 W1.172xH1.523m	1
9	25437-Door Double 11mm TG W0.552xH1.740m	2
10	25441-Roof Apex 11mm TG W0.879xH1.366m	4
11	25442-Roof Apex 11mm TG W1.172xH1.366m	2
12	25452-Floor ASM 11mm TG W0.879xH1.199m	4
13	25453-Floor ASM 11mm TG W1.172xH1.199m	2
14	25554-Section OL 4ft Panel Fixed Window U1511 W1.172xH1.523m	1
15	CL-0530-40RS- Window Cloak	3
16	CL-1116-28RS- Door Head	1
17	CL-1511-40RS- Panel Cloak	11
18	CL-1754-40RS- Door Cloak 1740	1
19	FB-0138-90RS- Finial	2
20	FB-1422-90RS- Fascia Board	4
21	FR-0100-SQ- Door Block	2
22	FR-0100-SQ- Floor Block	6
23	FR-0879-SQ- Purlin	2
24	FR-1172-SQ- Door Threshold	1
25	FR-1172-SQ- Purlin	1
26	FR-1698-SQ- Door Upright	2
27	TR-0491-BV2	4
28	TR-1000-BV2	4
29	TR-1312-BM75	4

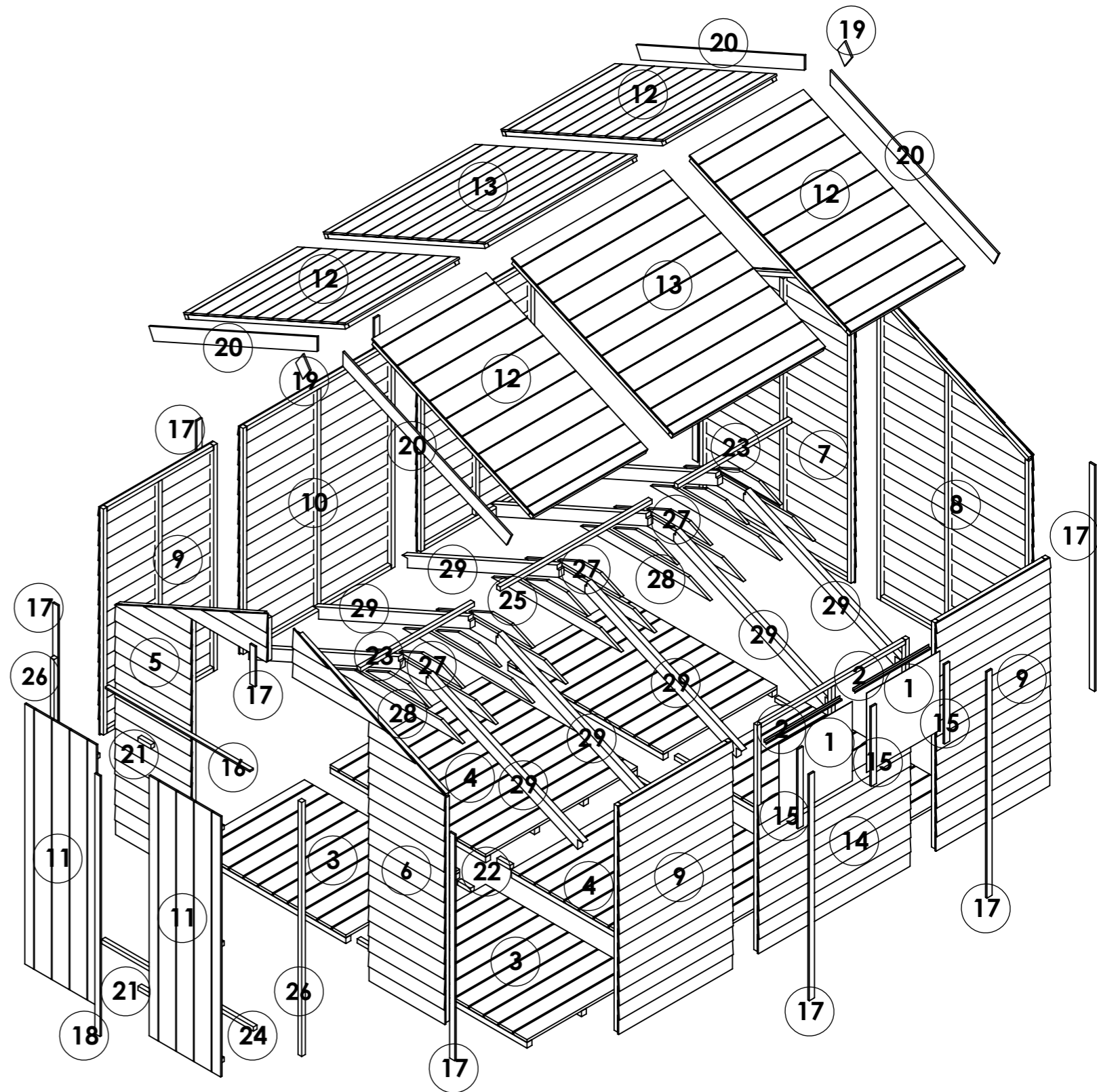


OPTIONS:

Floor: **11mm T&G**
 Roof: **11mm T&G**
 Truss: **11mm T&G**

10x8 Keeper Overlap Windowed Apex

ITEM NO.	Part Name - ID / Code - Name	QTY.
1	14447-Glazing 1.2mm Styrene Fixed Window W0.566xH0.530m	2
2	14449-Window Sill Black L0.586m	2
3	25411-Floor ASM 19mm TG W0.879xH1.199m	4
4	25412-Floor ASM 19mm TG W1.172xH1.199m	2
5	25419-Section OL 8ft Gable Door Left U1511 W1.172xH1.912m	1
6	25420-Section OL 8ft Gable Door Right U1511 W1.172xH1.912m	1
7	25421-Section OL 8ft Gable Plain Left U1511 W1.172xH1.912m	1
8	25422-Section OL 8ft Gable Plain Right U1511 W1.172xH1.912m	1
9	25423-Section OL 3ft Panel Plain U1511 W0.879xH1.523m	4
10	25424-Section OL 4ft Panel Plain U1511 W1.172xH1.523m	1
11	25437-Door Double 11mm TG W0.552xH1.740m	2
12	25441-Roof Apex 11mm TG W0.879xH1.366m	4
13	25442-Roof Apex 11mm TG W1.172xH1.366m	2
14	25554-Section OL 4ft Panel Fixed Window U1511 W1.172xH1.523m	1
15	CL-0530-40RS- Window Cloak	3
16	CL-1116-28RS- Door Head	1
17	CL-1511-40RS- Panel Cloak	11
18	CL-1754-40RS- Door Cloak 1740	1
19	FB-0138-90RS- Finial	2
20	FB-1422-90RS- Fascia Board	4
21	FR-0100-SQ- Door Block	2
22	FR-0100-SQ- Floor Block	6
23	FR-0879-SQ- Purlin	2
24	FR-1172-SQ- Door Threshold	1
25	FR-1172-SQ- Purlin	1
26	FR-1698-SQ- Door Upright	2
27	TR-0491-BV2	10
28	TR-1000-BV2	10
29	TR-1312-BM75	10



OPTIONS:

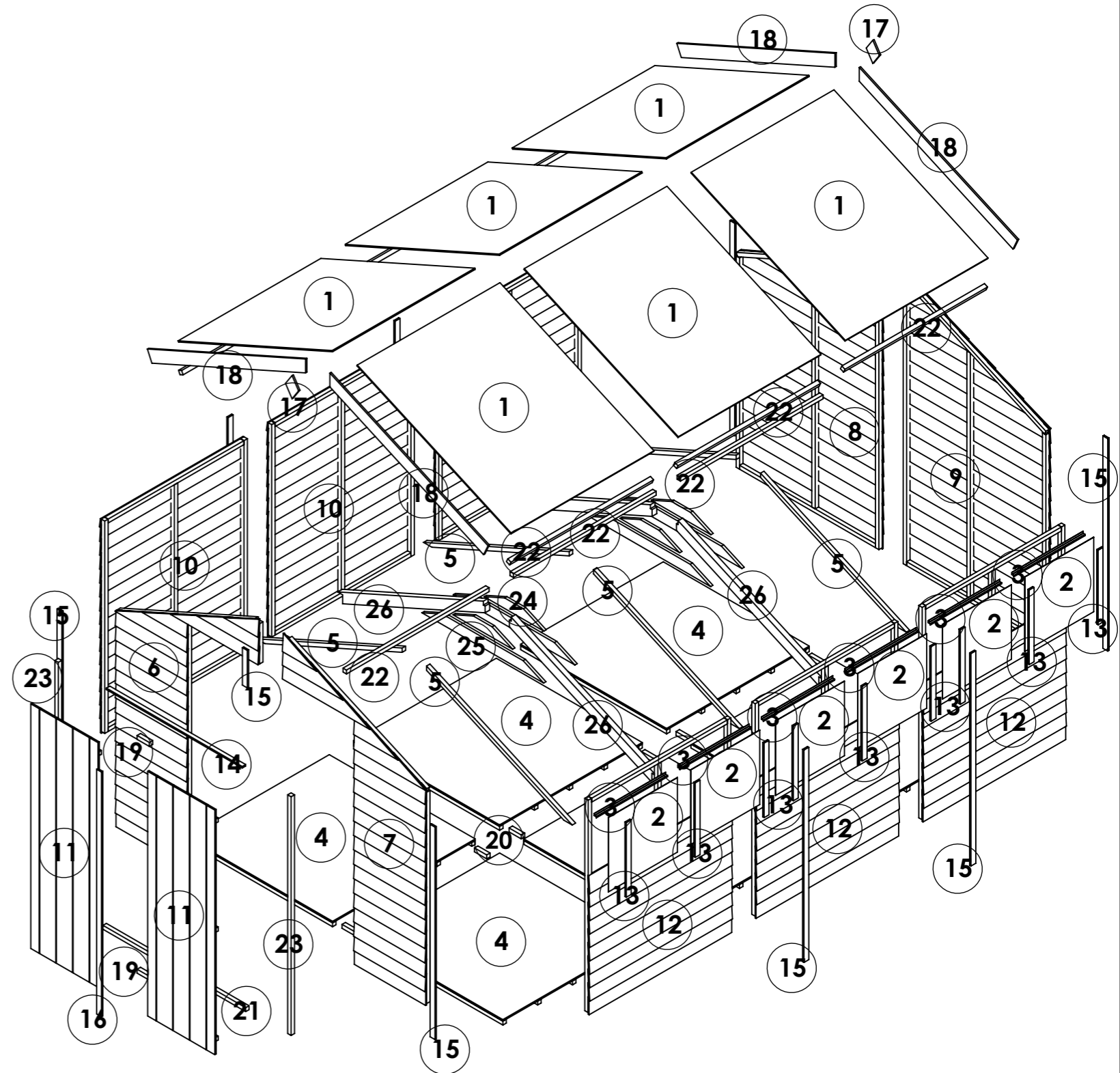
Floor: **19mm T&G**

Roof: **11mm T&G**

Truss: **11mm T&G Heavy Duty**

12x8 Keeper Overlap Windowed Apex

ITEM NO.	Part Name - ID / Code - Name	QTY.
1	14435-Roof Apex 8mm SS W1.172xH1.385m	6
2	14447-Glazing 1.2mm Styrene Fixed Window W0.566xH0.530m	6
3	14449-Window Sill Black L0.586m	6
4	14594-Floor ASM Solid Sheet W1.172xH1.199m	6
5	25407-Roof Support 8ft Treated L1.31m	6
6	25419-Section OL 8ft Gable Door Left U1511 W1.172xH1.912m	1
7	25420-Section OL 8ft Gable Door Right U1511 W1.172xH1.912m	1
8	25421-Section OL 8ft Gable Plain Left U1511 W1.172xH1.912m	1
9	25422-Section OL 8ft Gable Plain Right U1511 W1.172xH1.912m	1
10	25424-Section OL 4ft Panel Plain U1511 W1.172xH1.523m	3
11	25437-Door Double 11mm TG W0.552xH1.740m	2
12	25554-Section OL 4ft Panel Fixed Window U1511 W1.172xH1.523m	3
13	CL-0530-40RS- Window Cloak	9
14	CL-1116-28RS- Door Head	1
15	CL-1511-40RS- Panel Cloak	11
16	CL-1754-40RS- Door Cloak 1740	1
17	FB-0138-90RS- Finial	2
18	FB-1422-90RS- Fascia Board	4
19	FR-0100-SQ- Door Block	2
20	FR-0100-SQ- Floor Block	6
21	FR-1172-SQ- Door Threshold	1
22	FR-1172-SQ- Purlin	9
23	FR-1698-SQ- Door Upright	2
24	TR-0491-BV2	4
25	TR-1000-BV2	4
26	TR-1312-BM75	4

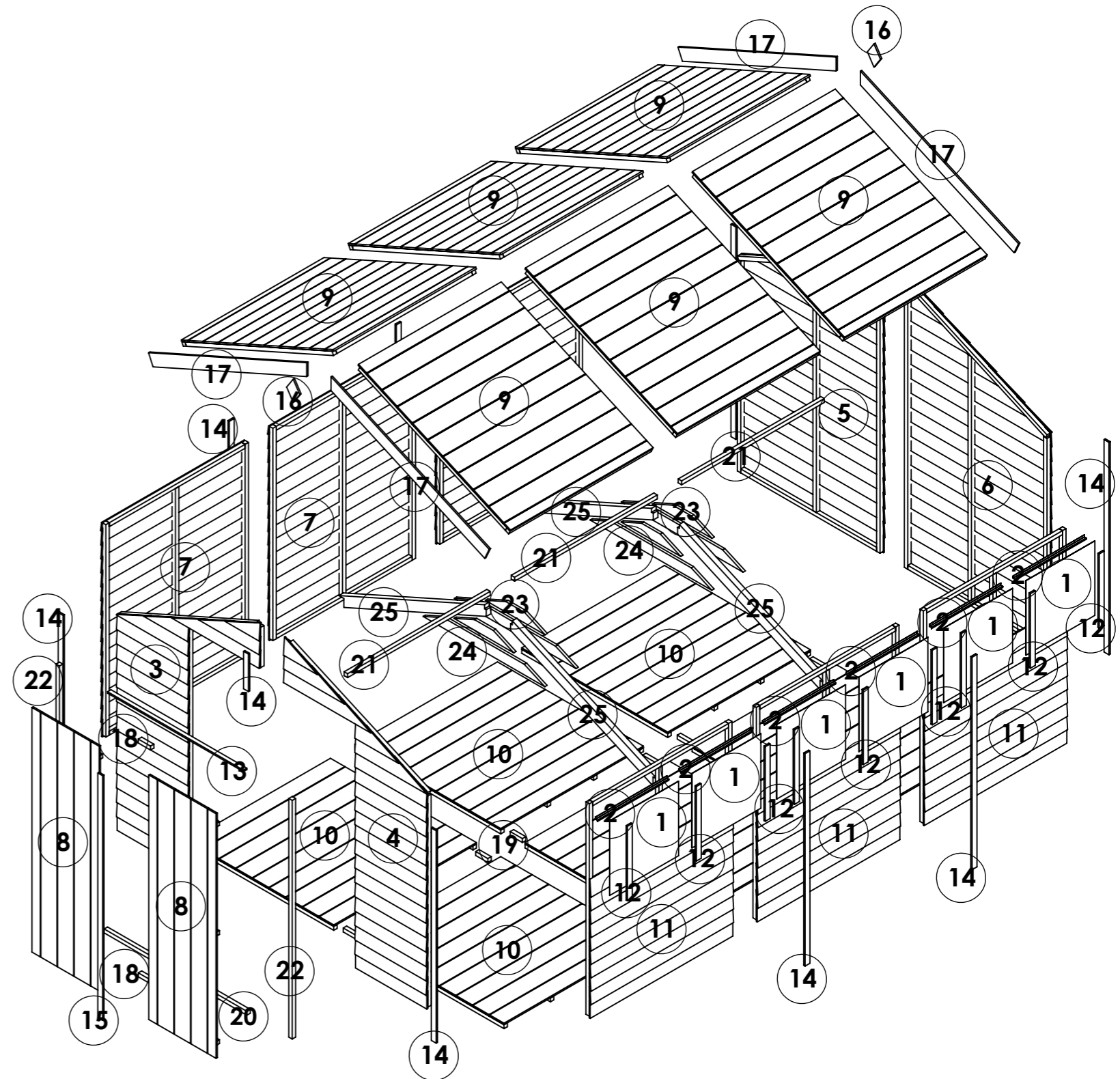


OPTIONS:

Floor: **Solid Sheet**
 Roof: **Solid Sheet**
 Truss: **Solid Sheet**

12x8 Keeper Overlap Windowed Apex

ITEM NO.	Part Name - ID / Code - Name	QTY.
1	14447-Glazing 1.2mm Styrene Fixed Window W0.566xH0.530m	6
2	14449-Window Sill Black L0.586m	6
3	25419-Section OL 8ft Gable Door Left U1511 W1.172xH1.912m	1
4	25420-Section OL 8ft Gable Door Right U1511 W1.172xH1.912m	1
5	25421-Section OL 8ft Gable Plain Left U1511 W1.172xH1.912m	1
6	25422-Section OL 8ft Gable Plain Right U1511 W1.172xH1.912m	1
7	25424-Section OL 4ft Panel Plain U1511 W1.172xH1.523m	3
8	25437-Door Double 11mm TG W0.552xH1.740m	2
9	25442-Roof Apex 11mm TG W1.172xH1.366m	6
10	25453-Floor ASM 11mm TG W1.172xH1.199m	6
11	25554-Section OL 4ft Panel Fixed Window U1511 W1.172xH1.523m	3
12	CL-0530-40RS- Window Cloak	9
13	CL-1116-28RS- Door Head	1
14	CL-1511-40RS- Panel Cloak	11
15	CL-1754-40RS- Door Cloak 1740	1
16	FB-0138-90RS- Finial	2
17	FB-1422-90RS- Fascia Board	4
18	FR-0100-SQ- Door Block	2
19	FR-0100-SQ- Floor Block	6
20	FR-1172-SQ- Door Threshold	1
21	FR-1172-SQ- Purlin	3
22	FR-1698-SQ- Door Upright	2
23	TR-0491-BV2	4
24	TR-1000-BV2	4
25	TR-1312-BM75	4



OPTIONS:

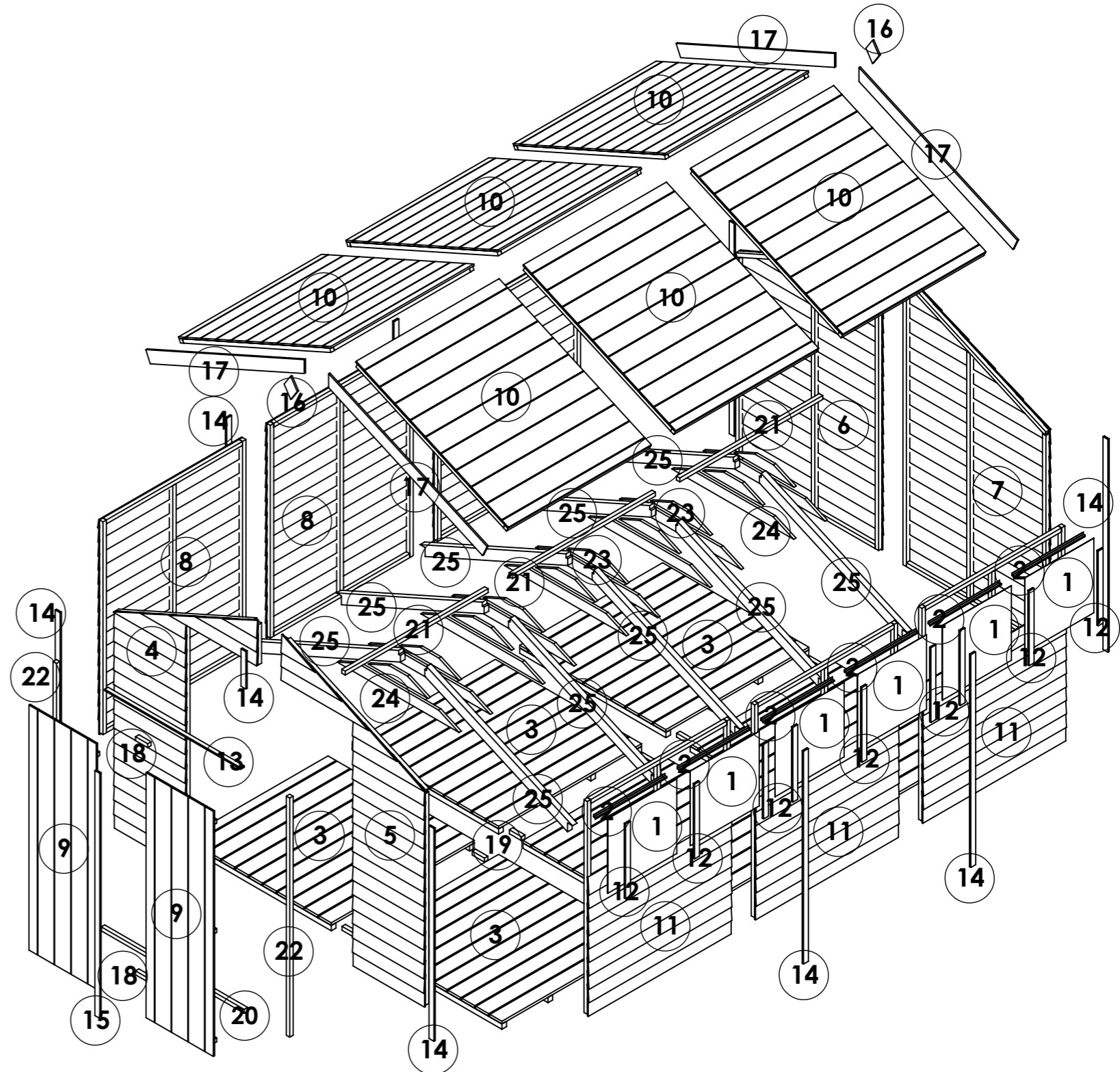
Floor: **11mm T&G**

Roof: **11mm T&G**

Truss: **11mm T&G**

12x8 Keeper Overlap Windowed Apex

ITEM NO.	Part Name - ID / Code - Name	QTY.
1	14447-Glazing 1.2mm Styrene Fixed Window W0.566xH0.530m	6
2	14449-Window Sill Black L0.586m	6
3	25412-Floor ASM 19mm TG W1.172xH1.199m	6
4	25419-Section OL 8ft Gable Door Left U1511 W1.172xH1.912m	1
5	25420-Section OL 8ft Gable Door Right U1511 W1.172xH1.912m	1
6	25421-Section OL 8ft Gable Plain Left U1511 W1.172xH1.912m	1
7	25422-Section OL 8ft Gable Plain Right U1511 W1.172xH1.912m	1
8	25424-Section OL 4ft Panel Plain U1511 W1.172xH1.523m	3
9	25437-Door Double 11mm TG W0.552xH1.740m	2
10	25442-Roof Apex 11mm TG W1.172xH1.366m	6
11	25554-Section OL 4ft Panel Fixed Window U1511 W1.172xH1.523m	3
12	CL-0530-40RS- Window Cloak	9
13	CL-1116-28RS- Door Head	1
14	CL-1511-40RS- Panel Cloak	11
15	CL-1754-40RS- Door Cloak 1740	1
16	FB-0138-90RS- Finial	2
17	FB-1422-90RS- Fascia Board	4
18	FR-0100-SQ- Door Block	2
19	FR-0100-SQ- Floor Block	6
20	FR-1172-SQ- Door Threshold	1
21	FR-1172-SQ- Purlin	3
22	FR-1698-SQ- Door Upright	2
23	TR-0491-BV2	10
24	TR-1000-BV2	10
25	TR-1312-BM75	10



OPTIONS:

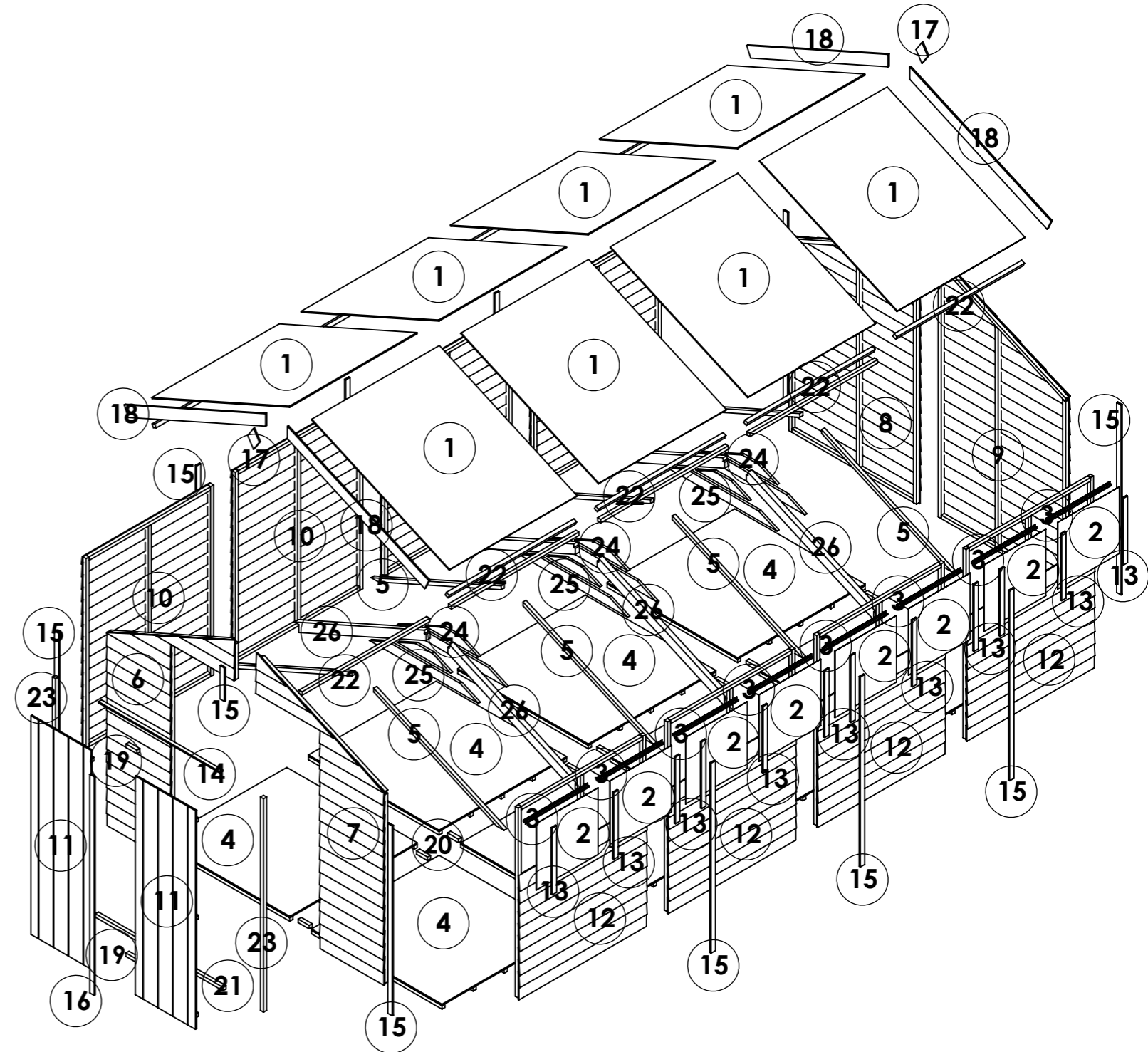
Floor: **19mm T&G**

Roof: **11mm T&G**

Truss: **11mm T&G Heavy Duty**

16x8 Keeper Overlap Windowed Apex

ITEM NO.	Part Name - ID / Code - Name	QTY.
1	14435-Roof Apex 8mm SS W1.172xH1.385m	8
2	14447-Glazing 1.2mm Styrene Fixed Window W0.566xH0.530m	8
3	14449-Window Sill Black L0.586m	8
4	14594-Floor ASM Solid Sheet W1.172xH1.199m	8
5	25407-Roof Support 8ft Treated L1.31m	8
6	25419-Section OL 8ft Gable Door Left U1511 W1.172xH1.912m	1
7	25420-Section OL 8ft Gable Door Right U1511 W1.172xH1.912m	1
8	25421-Section OL 8ft Gable Plain Left U1511 W1.172xH1.912m	1
9	25422-Section OL 8ft Gable Plain Right U1511 W1.172xH1.912m	1
10	25424-Section OL 4ft Panel Plain U1511 W1.172xH1.523m	4
11	25437-Door Double 11mm TG W0.552xH1.740m	2
12	25554-Section OL 4ft Panel Fixed Window U1511 W1.172xH1.523m	4
13	CL-0530-40RS- Window Cloak	12
14	CL-1116-28RS- Door Head	1
15	CL-1511-40RS- Panel Cloak	13
16	CL-1754-40RS- Door Cloak 1740	1
17	FB-0138-90RS- Finial	2
18	FB-1422-90RS- Fascia Board	4
19	FR-0100-SQ- Door Block	2
20	FR-0100-SQ- Floor Block	8
21	FR-1172-SQ- Door Threshold	1
22	FR-1172-SQ- Purlin	12
23	FR-1698-SQ- Door Upright	2
24	TR-0491-BV2	6
25	TR-1000-BV2	6
26	TR-1312-BM75	6

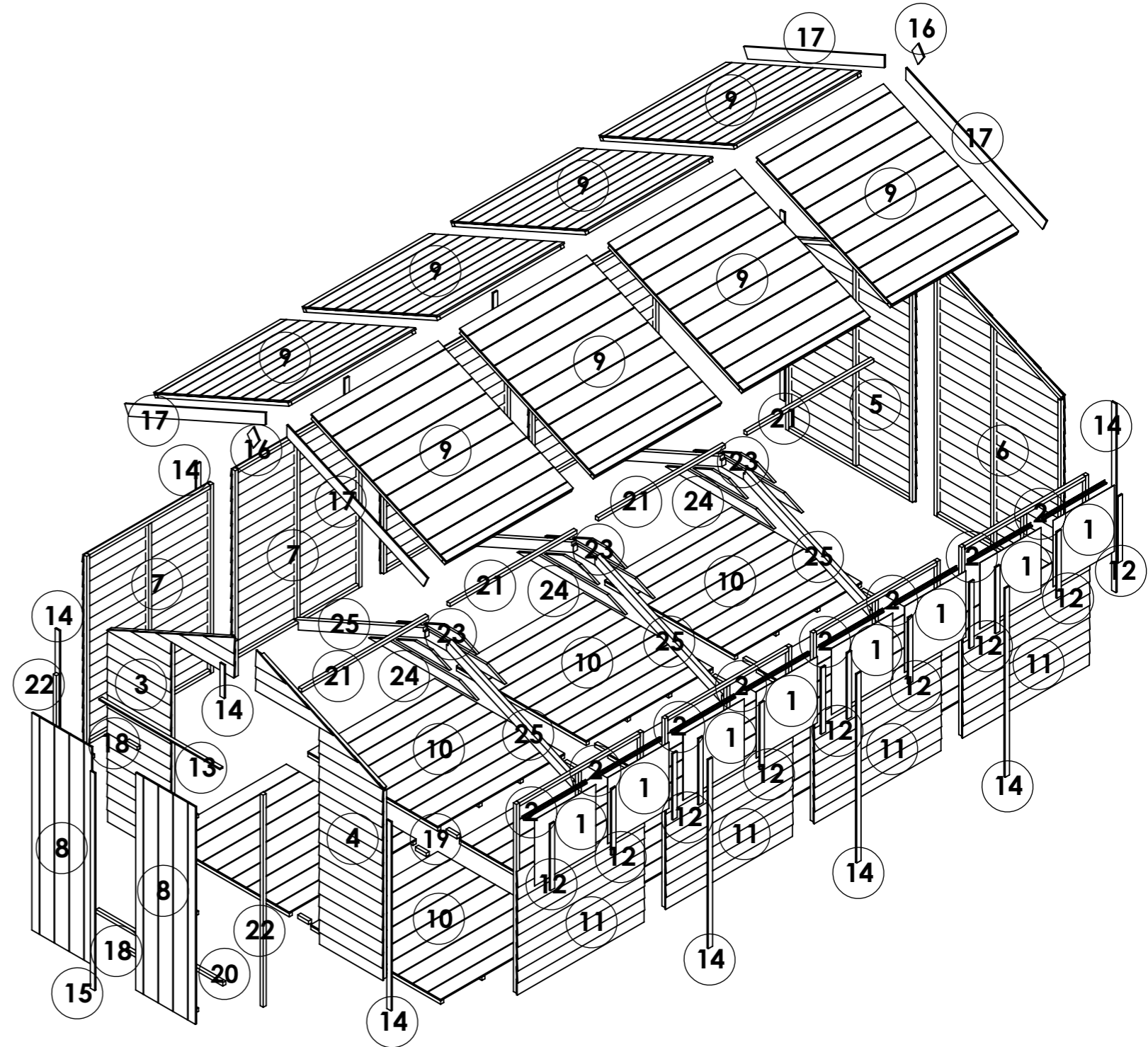


OPTIONS:

Floor: **Solid Sheet**
 Roof: **Solid Sheet**
 Truss: **Solid Sheet**

16x8 Keeper Overlap Windowed Apex

ITEM NO.	Part Name - ID / Code - Name	QTY.
1	14447-Glazing 1.2mm Styrene Fixed Window W0.566xH0.530m	8
2	14449-Window Sill Black L0.586m	8
3	25419-Section OL 8ft Gable Door Left U1511 W1.172xH1.912m	1
4	25420-Section OL 8ft Gable Door Right U1511 W1.172xH1.912m	1
5	25421-Section OL 8ft Gable Plain Left U1511 W1.172xH1.912m	1
6	25422-Section OL 8ft Gable Plain Right U1511 W1.172xH1.912m	1
7	25424-Section OL 4ft Panel Plain U1511 W1.172xH1.523m	4
8	25437-Door Double 11mm TG W0.552xH1.740m	2
9	25442-Roof Apex 11mm TG W1.172xH1.366m	8
10	25453-Floor ASM 11mm TG W1.172xH1.199m	8
11	25554-Section OL 4ft Panel Fixed Window U1511 W1.172xH1.523m	4
12	CL-0530-40RS- Window Cloak	12
13	CL-1116-28RS- Door Head	1
14	CL-1511-40RS- Panel Cloak	13
15	CL-1754-40RS- Door Cloak 1740	1
16	FB-0138-90RS- Finial	2
17	FB-1422-90RS- Fascia Board	4
18	FR-0100-SQ- Door Block	2
19	FR-0100-SQ- Floor Block	8
20	FR-1172-SQ- Door Threshold	1
21	FR-1172-SQ- Purlin	4
22	FR-1698-SQ- Door Upright	2
23	TR-0491-BV2	6
24	TR-1000-BV2	6
25	TR-1312-BM75	6



OPTIONS:

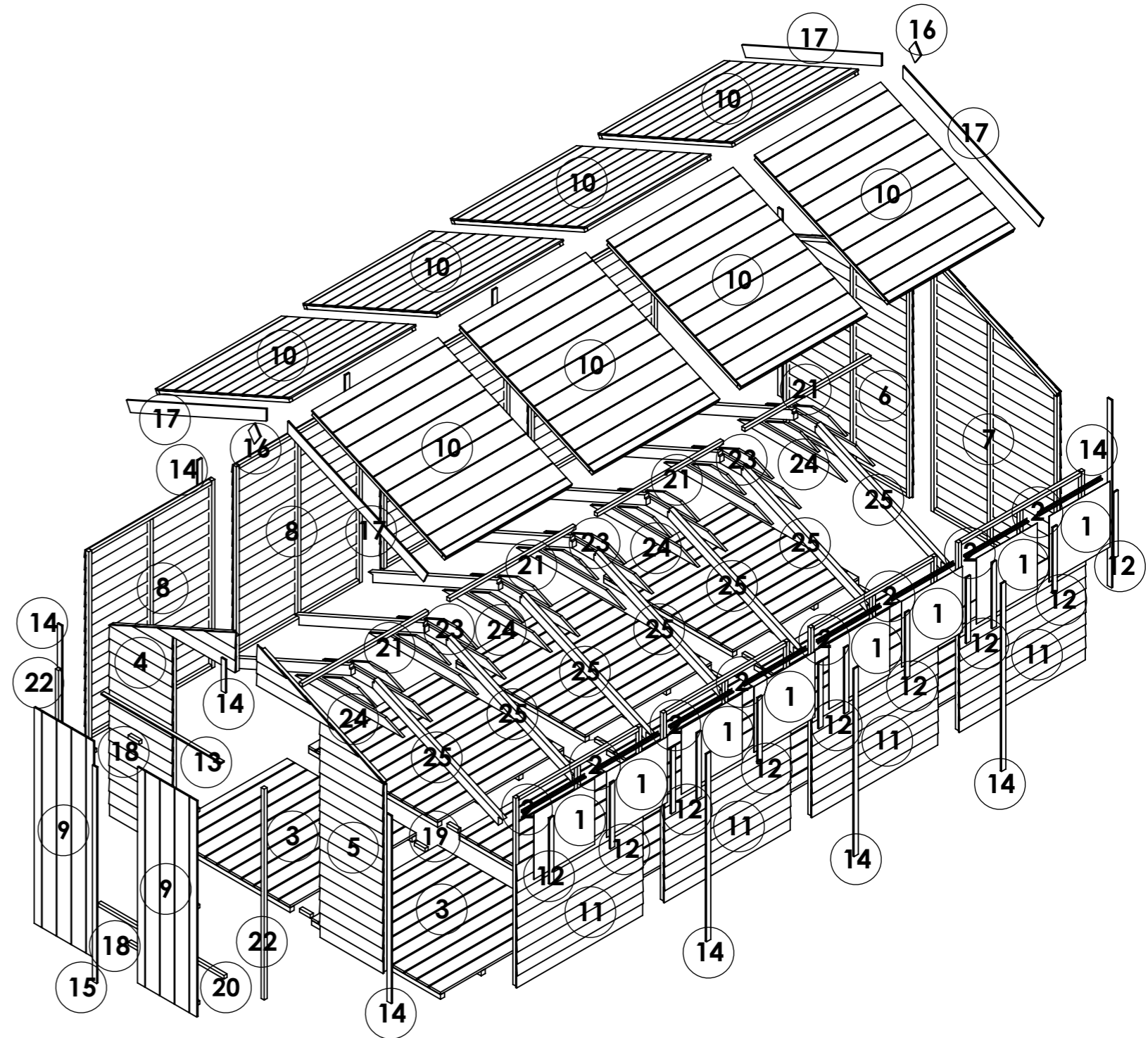
Floor: **11mm T&G**

Roof: **11mm T&G**

Truss: **11mm T&G**

16x8 Keeper Overlap Windowed Apex

ITEM NO.	Part Name - ID / Code - Name	QTY.
1	14447-Glazing 1.2mm Styrene Fixed Window W0.566xH0.530m	8
2	14449-Window Sill Black L0.586m	8
3	25412-Floor ASM 19mm TG W1.172xH1.199m	8
4	25419-Section OL 8ft Gable Door Left U1511 W1.172xH1.912m	1
5	25420-Section OL 8ft Gable Door Right U1511 W1.172xH1.912m	1
6	25421-Section OL 8ft Gable Plain Left U1511 W1.172xH1.912m	1
7	25422-Section OL 8ft Gable Plain Right U1511 W1.172xH1.912m	1
8	25424-Section OL 4ft Panel Plain U1511 W1.172xH1.523m	4
9	25437-Door Double 11mm TG W0.552xH1.740m	2
10	25442-Roof Apex 11mm TG W1.172xH1.366m	8
11	25554-Section OL 4ft Panel Fixed Window U1511 W1.172xH1.523m	4
12	CL-0530-40RS- Window Cloak	12
13	CL-1116-28RS- Door Head	1
14	CL-1511-40RS- Panel Cloak	13
15	CL-1754-40RS- Door Cloak 1740	1
16	FB-0138-90RS- Finial	2
17	FB-1422-90RS- Fascia Board	4
18	FR-0100-SQ- Door Block	2
19	FR-0100-SQ- Floor Block	8
20	FR-1172-SQ- Door Threshold	1
21	FR-1172-SQ- Purlin	4
22	FR-1698-SQ- Door Upright	2
23	TR-0491-BV2	14
24	TR-1000-BV2	14
25	TR-1312-BM75	14



OPTIONS:

Floor: **19mm T&G**

Roof: **11mm T&G**

Truss: **11mm T&G Heavy Duty**